

Play Action®

PLAYSTAR®

Spiral Tube Slide

Assembly Instructions



Important!

Intended for residential use by children ages 2 to 10, only on properly installed PlayStar playsets. Before use refer to complete safety guidelines in your original playset, at www.playstarinc.com, or at 1-888-752-9782.

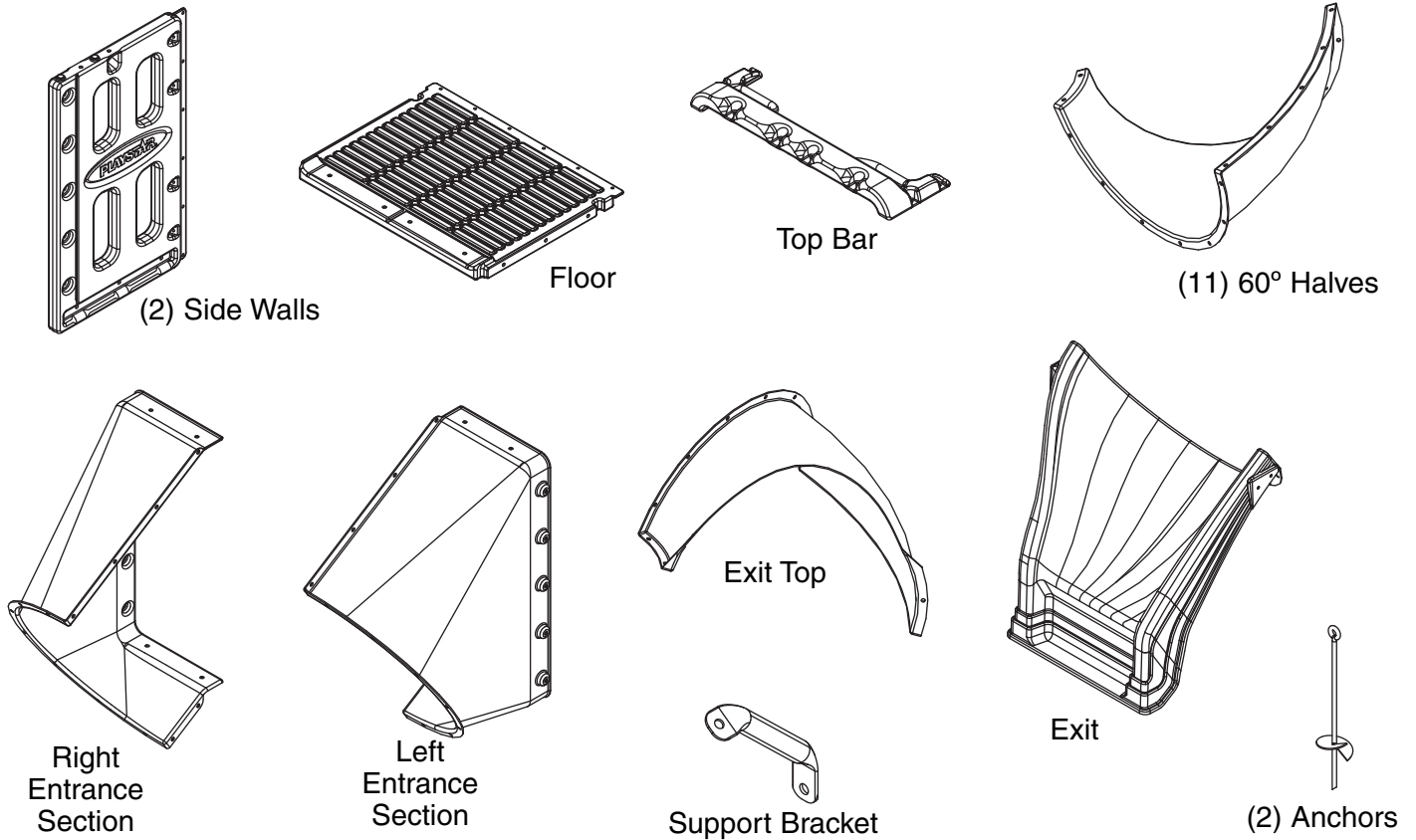
We're Here To Help!

Call Toll Free **1-888-752-9782**
Customer Service: Monday - Friday, 8:00 A.M. to 5:00 P.M. C.S.T.

PS 8820

CONTENTS

Spiral Tube Slide Contents and Component Identification:



TOOLS REQUIRED

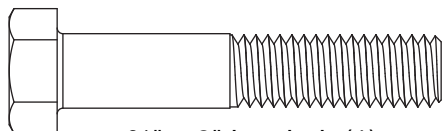
Socket Wrench
 1/2" and 9/16" Socket
 1/2" and 9/16" Wrench or Adjustable Wrench

Tape Measure
 Safety Glasses
 Phillips Screwdriver

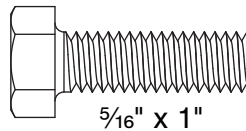
1/8", 1/4", 3/8" Drill Bits
 Drill
 Square

Pencil
 Ladder

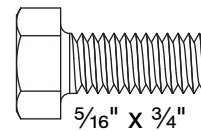
HARDWARE INCLUDED (shown actual size)



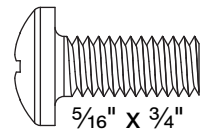
3/8" x 2" hex bolt (1)



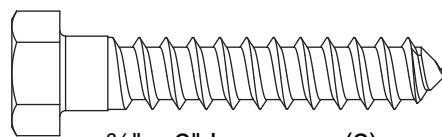
5/16" x 1"
 hex bolt (11)



5/16" x 3/4"
 hex bolt (157)



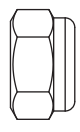
5/16" x 3/4"
 stove bolt (8)



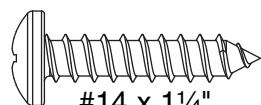
3/8" x 2" lag screw (2)



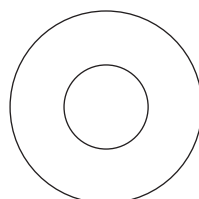
3/8" lock nut (1)



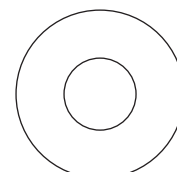
5/16" lock nut (177)



#14 x 1 1/4"
 pan head screw (22)



3/8" washer (4)



5/16" washer (345)

SPIRAL TUBE SLIDE ASSEMBLY

Before starting to assemble your Spiral Tube Slide, familiarize yourself with the contents. Identify each component and hardware listed on Page 2. Hardware is shown actual size.

Items for STEP 1: Crow's Nest Assembly

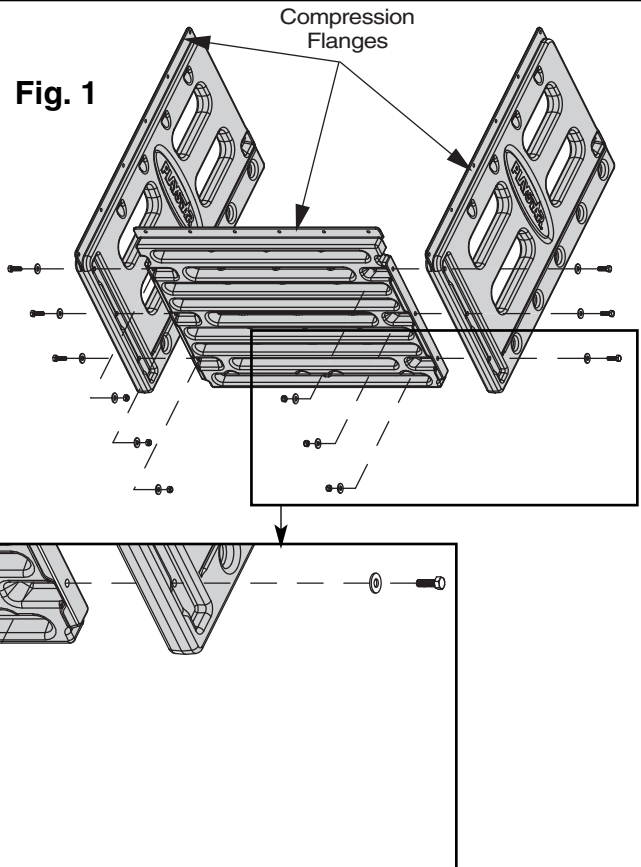
- (2) Side Walls
- (1) Floor
- (6) $\frac{5}{16}$ " x 1" hex bolts
- (12) $\frac{5}{16}$ " washers
- (6) $\frac{5}{16}$ " lock nuts

Position the side walls and floor as shown. (Fig. 1)

Note: The compression flanges of all three parts must be facing up as shown.

Attach the side walls to the floor using $\frac{5}{16}$ " x 1" hex bolts, $\frac{5}{16}$ " washers and $\frac{5}{16}$ " lock nuts as shown. (Fig. 1)

Tighten firmly with a $\frac{1}{2}$ " socket and wrench but **do not over tighten.**

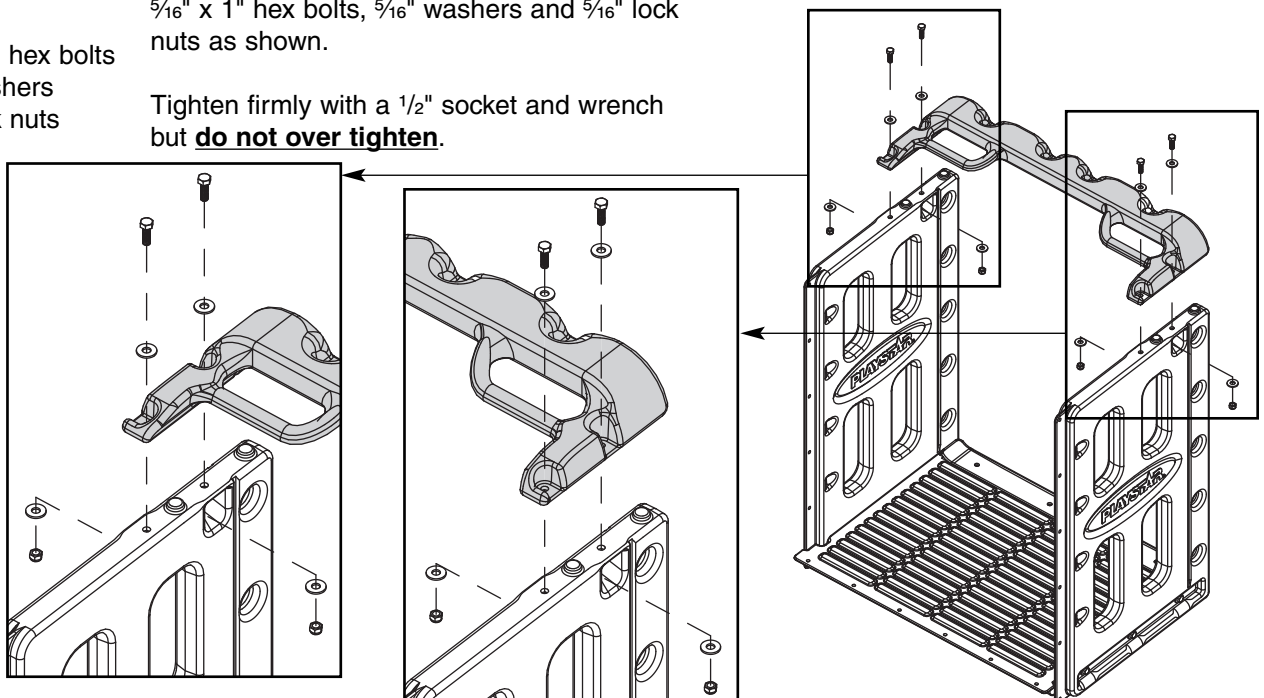


Items for STEP 2:

- (1) Top Bar
- (4) $\frac{5}{16}$ " x 1" hex bolts
- (8) $\frac{5}{16}$ " washers
- (4) $\frac{5}{16}$ " lock nuts

Attach the top bar to the side walls using $\frac{5}{16}$ " x 1" hex bolts, $\frac{5}{16}$ " washers and $\frac{5}{16}$ " lock nuts as shown.

Tighten firmly with a $\frac{1}{2}$ " socket and wrench but **do not over tighten.**



Items for STEP 3:

- (1) Crow's Nest Assembly
- (18) #14 x 1¼" pan head screws

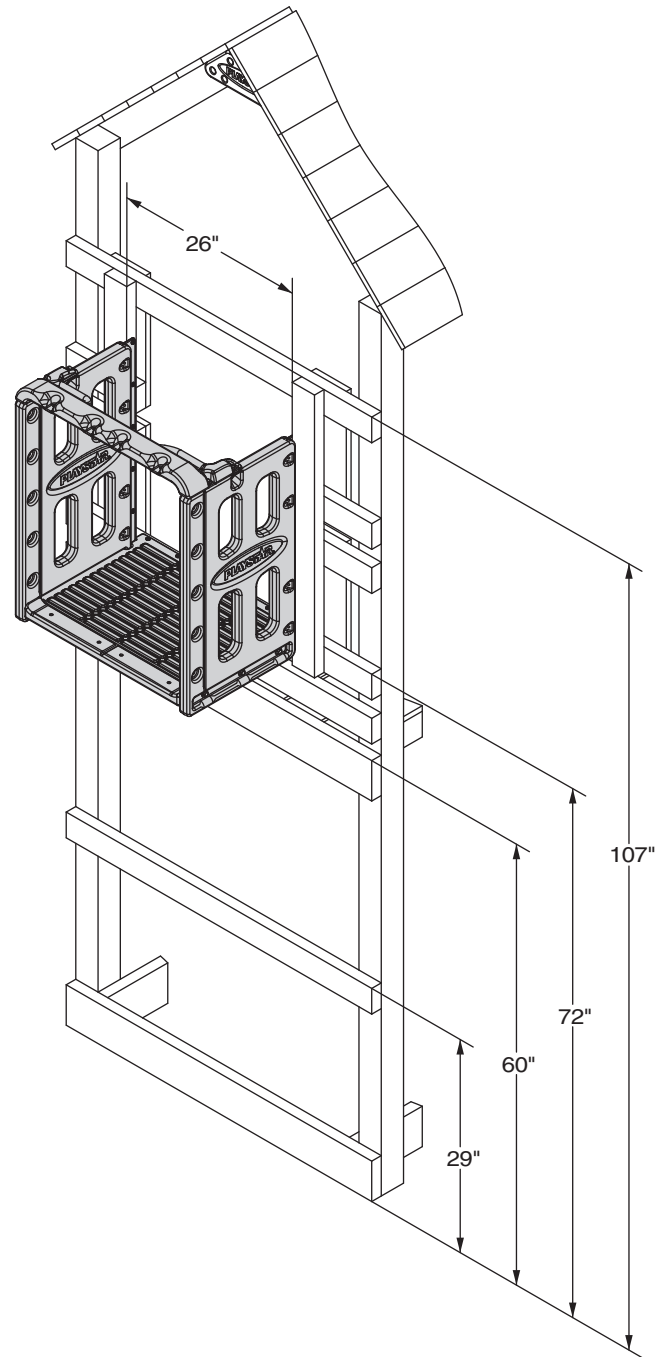
Position Crow's Nest Assembly into the playset opening.

(Refer to your original PlayStar Safety Guidelines and Building Instructions for complete playset construction details.)

Make sure the Crow's Nest Assembly is fully inserted, and all three flanges are firmly resting against the lumber. Mark holes with a pencil.

At each marked location, drill ⅛" holes 1" deep into the boards.

Secure assembly with #14 x 1¼" pan head screws as shown.

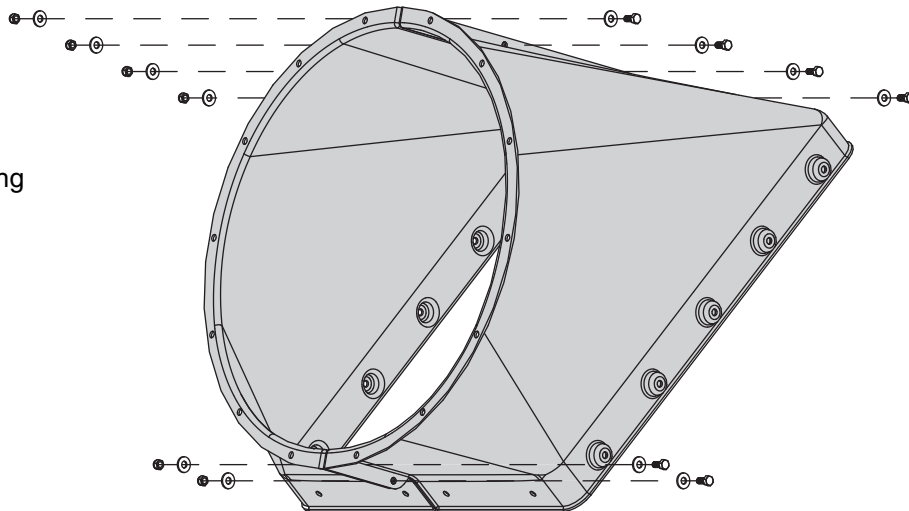


Items for **STEP 4:** Entrance Assembly

- (1) Left Entrance Section
- (1) Right Entrance Section
- (6) $\frac{5}{16}$ " x $\frac{3}{4}$ " hex bolts
- (12) $\frac{5}{16}$ " washers
- (6) $\frac{5}{16}$ " lock nuts

Attach the two entrance sections using $\frac{5}{16}$ " x $\frac{3}{4}$ " hex bolts, $\frac{5}{16}$ " washers and $\frac{5}{16}$ " lock nuts as shown.

Finger tighten only at this time.



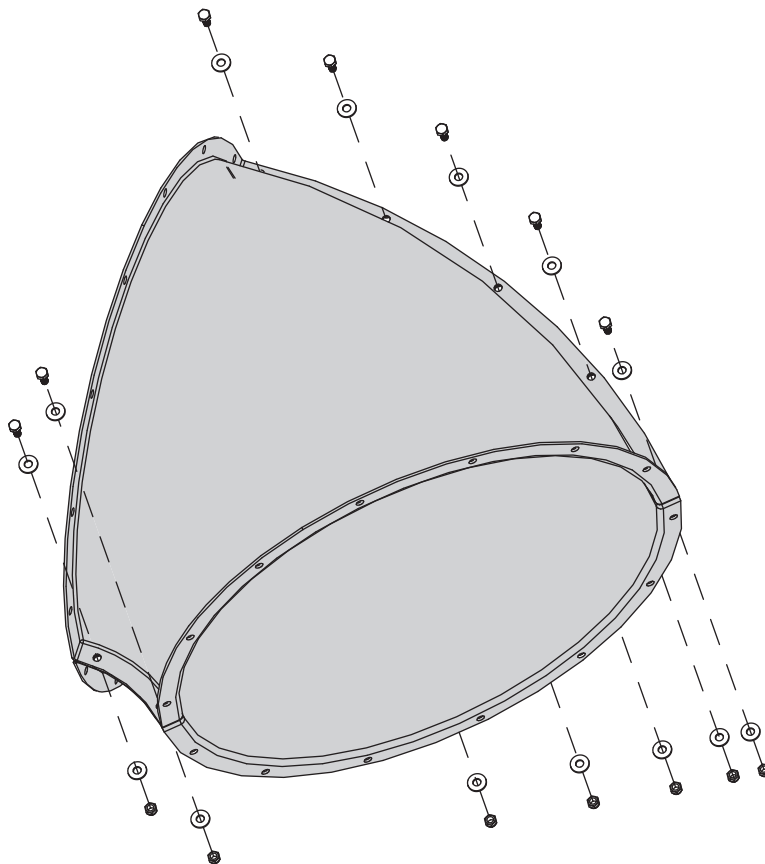
Items for **STEP 5:** 60° Tunnel Assembly

- (10) 60° halves
- (35) $\frac{5}{16}$ " x $\frac{3}{4}$ " hex bolts
- (70) $\frac{5}{16}$ " washers
- (35) $\frac{5}{16}$ " lock nuts

Attach two 60° halves using $\frac{5}{16}$ " x $\frac{3}{4}$ " hex bolts, $\frac{5}{16}$ " washers and $\frac{5}{16}$ " lock nuts as shown.

Finger tighten only at this time.

Repeat this assembly five times.

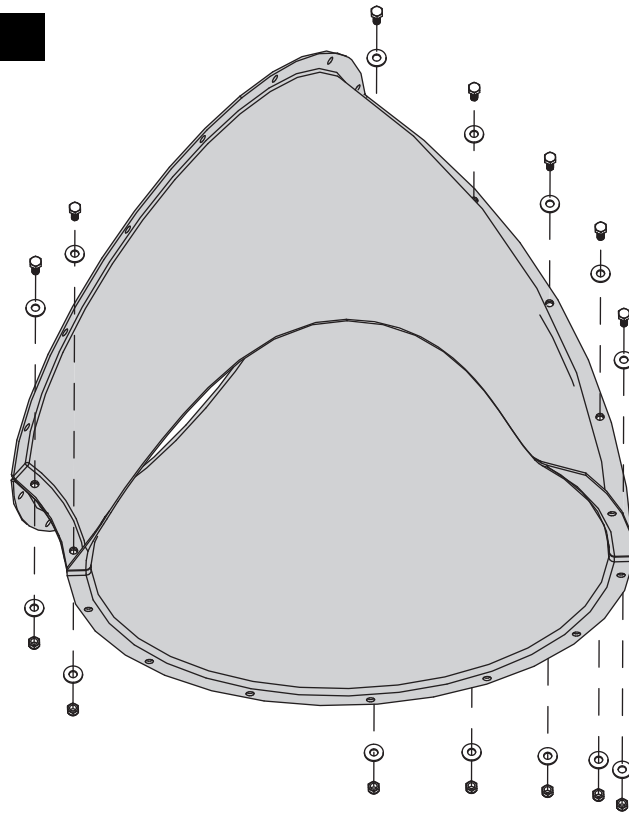


Items for **STEP 6:** 60° Exit Assembly

- (1) 60° half
- (1) Exit Top
- (7) 5/16" x 3/4" hex bolts
- (14) 5/16" washers
- (7) 5/16" lock nuts

Attach 60° half to the exit top using 5/16" x 3/4" hex bolts, 5/16" washers and 5/16" lock nuts as shown.

Finger tighten only at this time.



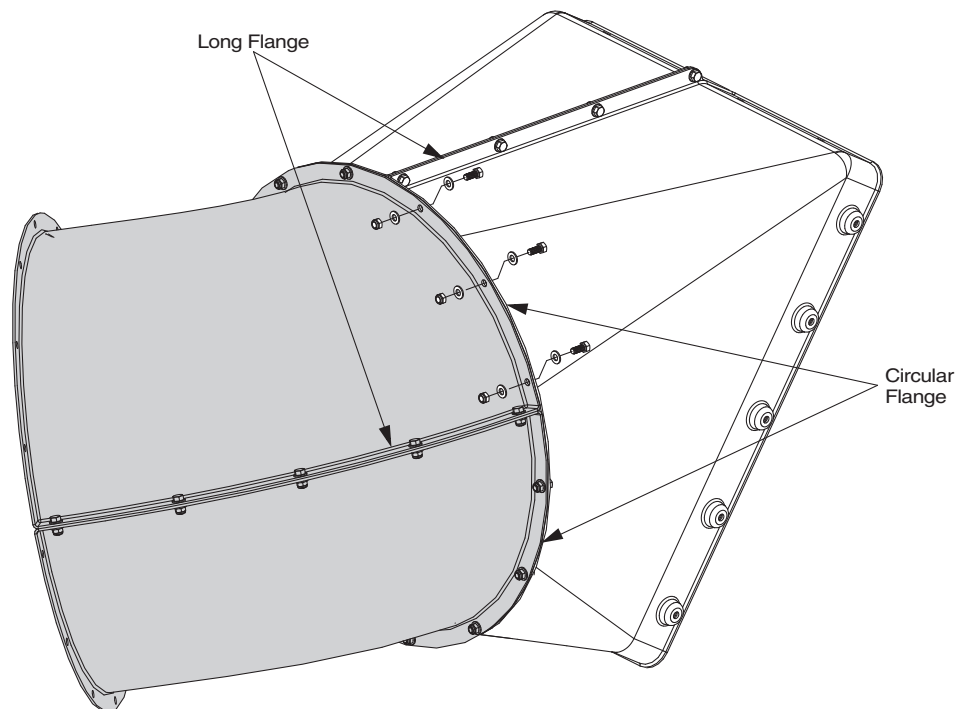
Items for **STEP 7:**

- (1) Entrance Assembly
- (1) 60° Tunnel Assembly
- (14) 5/16" x 3/4" hex bolts
- (28) 5/16" washers
- (14) 5/16" lock nuts

Attach one 60° Tunnel Assembly to the Entrance Assembly using 5/16" x 3/4" hex bolts, 5/16" washers and 5/16" lock nuts as shown.

Finger tighten only at this time.

Note: *The long flange on the 60° Tunnel Assembly will be rotated clockwise, with three bolts between the two long flanges.*



Note: *If the circular flanges along the Entrance Assembly are not straight due to packaging or shipping, place components in direct sun and or use a household hair dryer to soften flanges. Then bend straight using your hands.*

Assembly Tip: *If lining up holes is difficult, loosen bolts on the long flange of each component to give more clearance.*

Items for STEP 8:

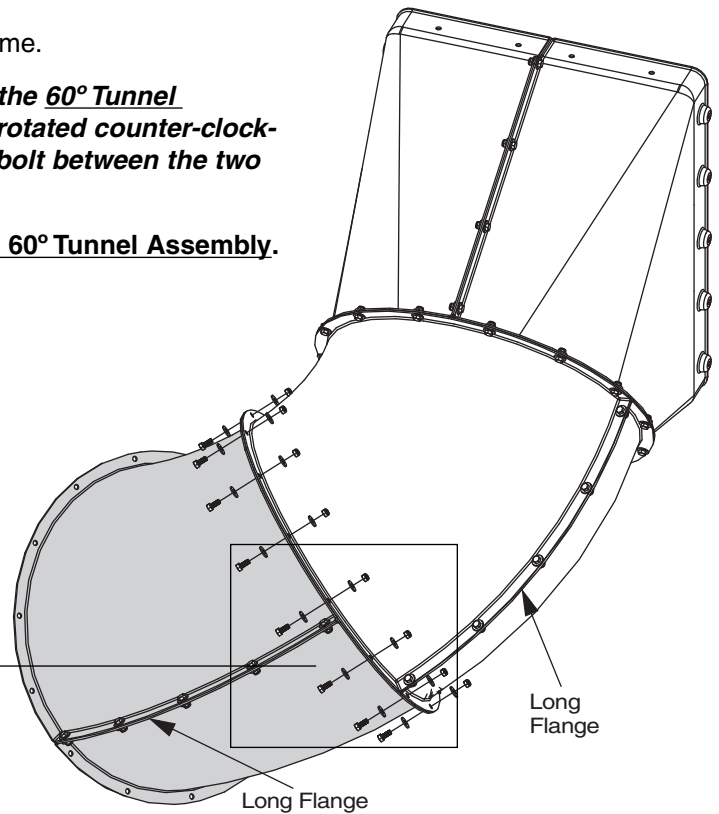
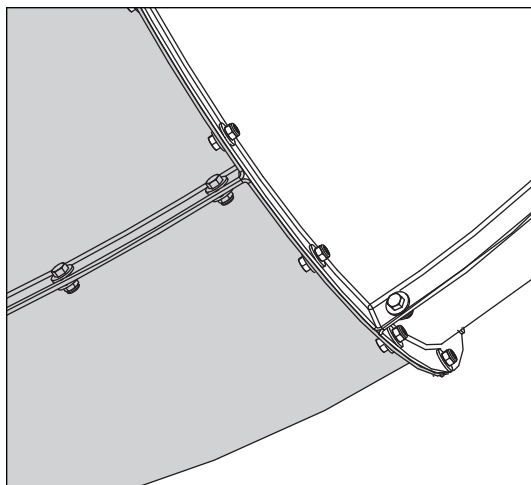
- (4) 60° Tunnel Assemblies
- (56) $\frac{5}{16}$ " x $\frac{3}{4}$ " hex bolts
- (112) $\frac{5}{16}$ " washers
- (56) $\frac{5}{16}$ " lock nuts

Attach 60° Tunnel Assembly using $\frac{5}{16}$ " x $\frac{3}{4}$ " hex bolts, $\frac{5}{16}$ " washers and $\frac{5}{16}$ " lock nuts as shown.

Finger tighten only at this time.

Note: *The long flange on the 60° Tunnel Assemblies will be rotated counter-clockwise with only one bolt between the two long flanges.*

Repeat for each Additional 60° Tunnel Assembly.



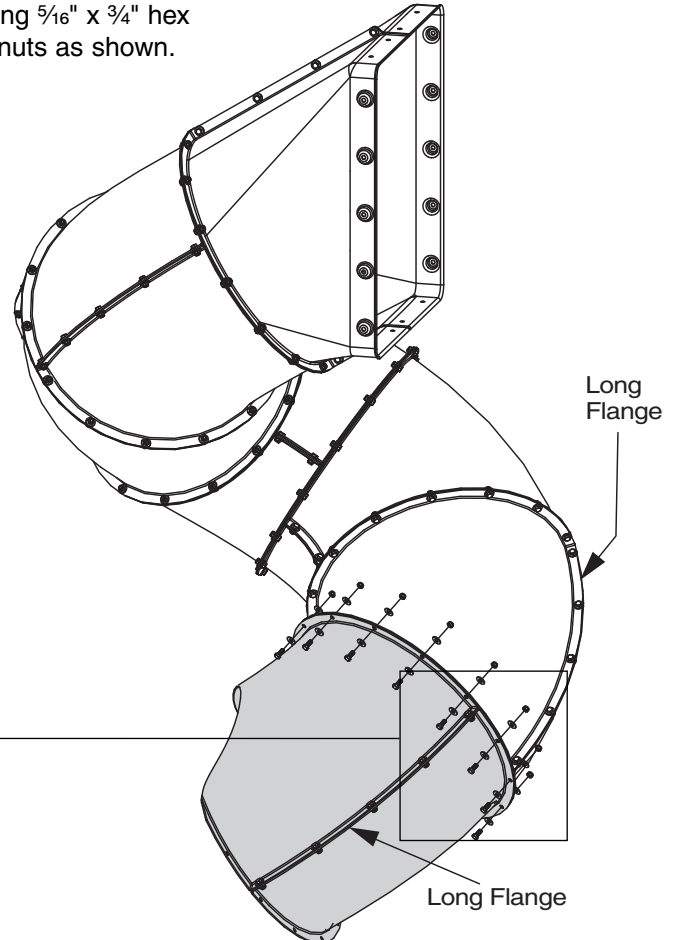
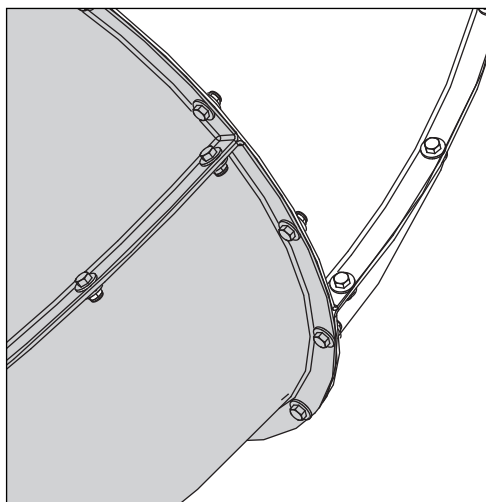
Items for STEP 9:

- (1) 60° Exit Assembly
- (14) $\frac{5}{16}$ " x $\frac{3}{4}$ " hex bolts
- (28) $\frac{5}{16}$ " washers
- (14) $\frac{5}{16}$ " lock nuts

Attach the 60° Exit Assembly using $\frac{5}{16}$ " x $\frac{3}{4}$ " hex bolts, $\frac{5}{16}$ " washers and $\frac{5}{16}$ " lock nuts as shown.

Finger tighten only at this time.

Note: *The long flange on the 60° Exit Assembly will be rotated counter-clockwise with only one bolt between the two long flanges.*

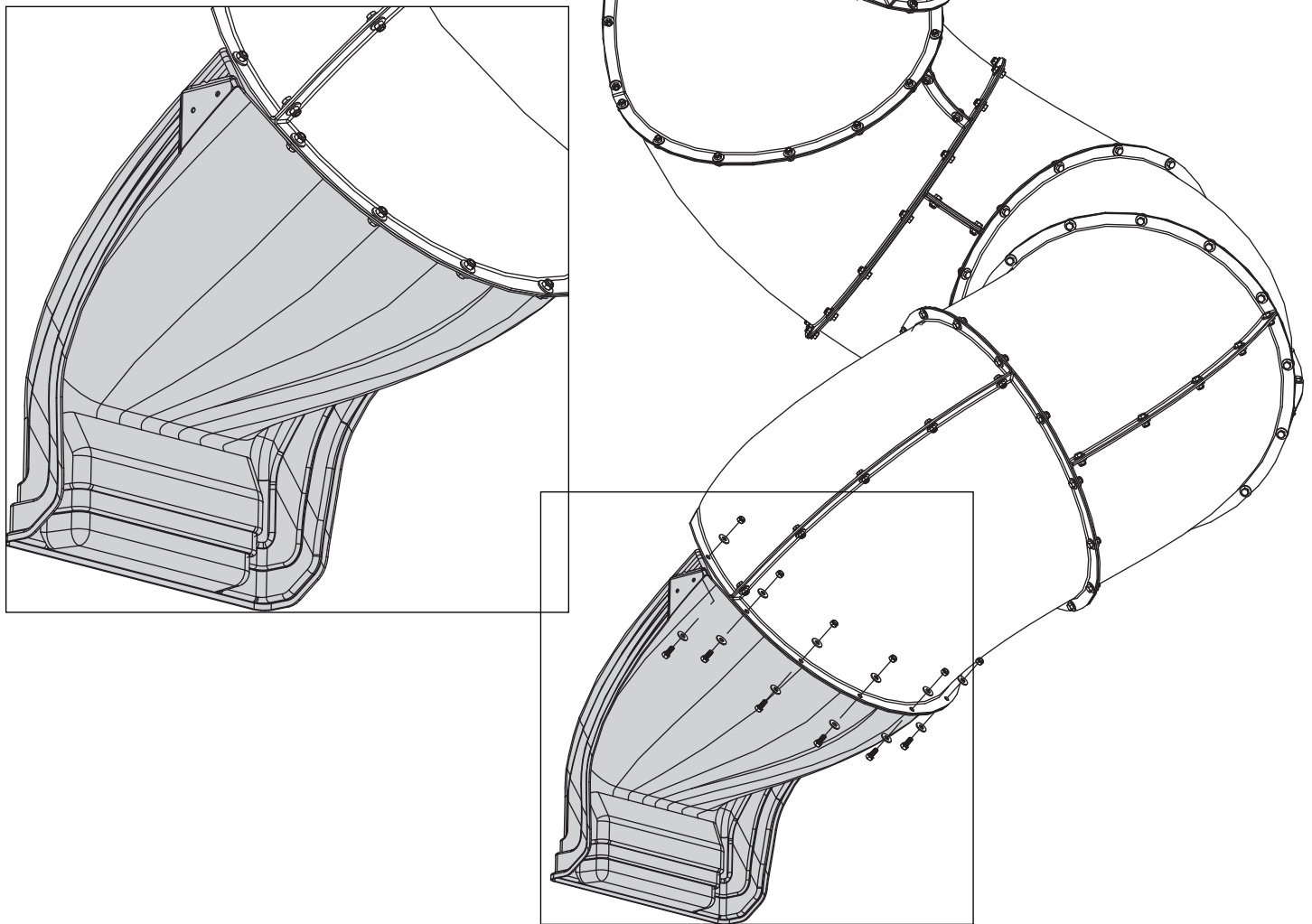


Items for STEP 10:

- (1) Exit
- (8) $\frac{5}{16}$ " x $\frac{3}{4}$ " hex bolts
- (16) $\frac{5}{16}$ " washers
- (8) $\frac{5}{16}$ " lock nuts

Attach the Exit using $\frac{5}{16}$ " x $\frac{3}{4}$ " hex bolts, $\frac{5}{16}$ " washers and $\frac{5}{16}$ " lock nuts as shown.

Finger tighten only at this time.



At this time use a $\frac{1}{2}$ " socket and wrench to tighten all the nuts and bolts that have been finger tightened in Steps 4 through 10 while making sure flanges are relatively flush with each other.

DO NOT OVER TIGHTEN!

Items for STEP 11:

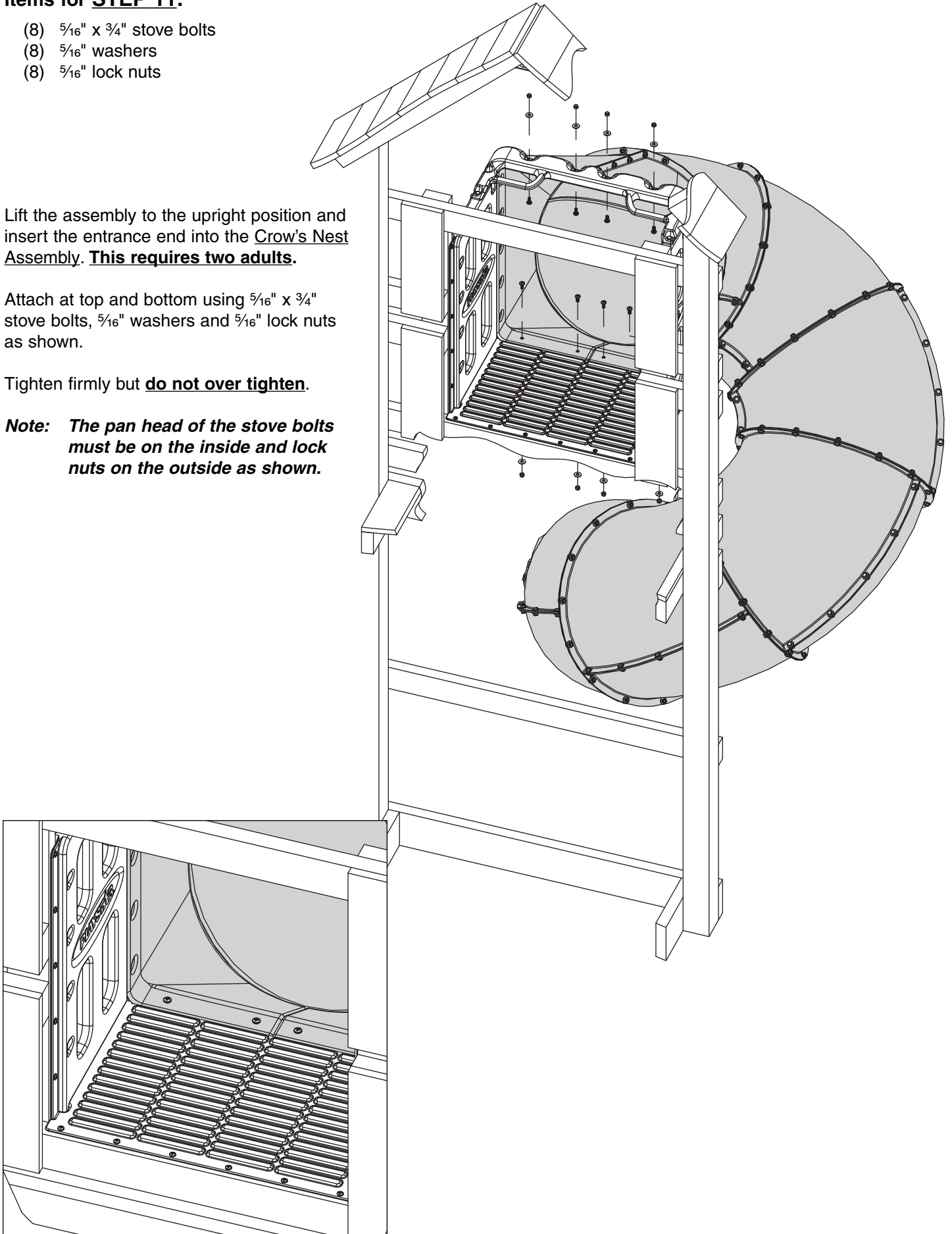
- (8) $\frac{5}{16}$ " x $\frac{3}{4}$ " stove bolts
- (8) $\frac{5}{16}$ " washers
- (8) $\frac{5}{16}$ " lock nuts

Lift the assembly to the upright position and insert the entrance end into the Crow's Nest Assembly. **This requires two adults.**

Attach at top and bottom using $\frac{5}{16}$ " x $\frac{3}{4}$ " stove bolts, $\frac{5}{16}$ " washers and $\frac{5}{16}$ " lock nuts as shown.

Tighten firmly but **do not over tighten**.

Note: *The pan head of the stove bolts must be on the inside and lock nuts on the outside as shown.*

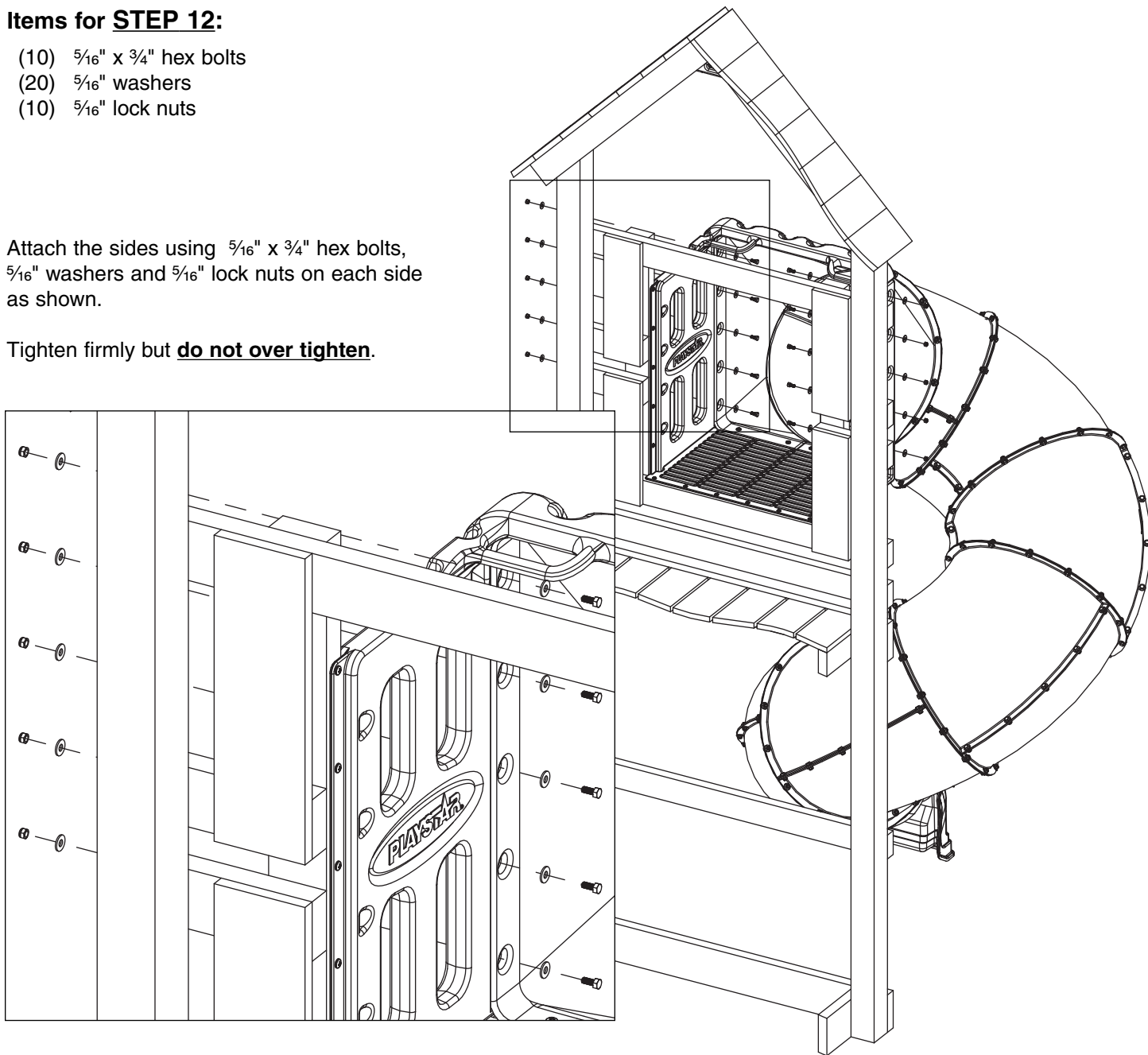


Items for **STEP 12:**

- (10) $\frac{5}{16}$ " x $\frac{3}{4}$ " hex bolts
- (20) $\frac{5}{16}$ " washers
- (10) $\frac{5}{16}$ " lock nuts

Attach the sides using $\frac{5}{16}$ " x $\frac{3}{4}$ " hex bolts, $\frac{5}{16}$ " washers and $\frac{5}{16}$ " lock nuts on each side as shown.

Tighten firmly but **do not over tighten.**



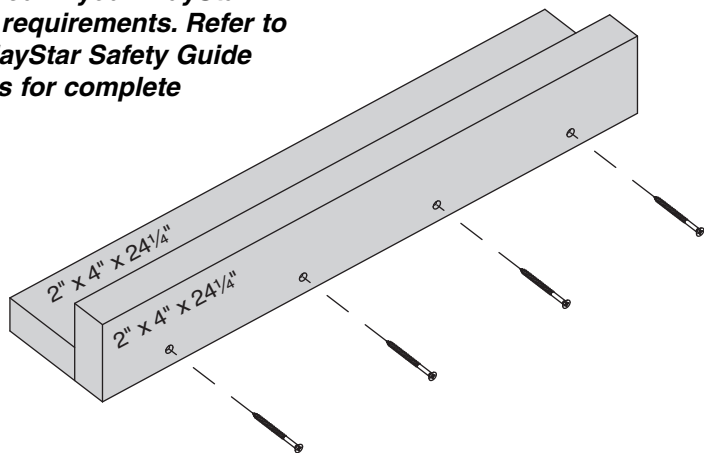
Items for **STEP 13:**

- (2) 2" x 4" x 24 $\frac{1}{4}$ " boards
- (4) #8 x 2 $\frac{1}{2}$ " deck screws

Note: The lumber referred to on this section has been included in your PlayStar Playset lumber requirements. Refer to your original PlayStar Safety Guide and Instructions for complete cutting details.

On a flat work surface place the 2" x 4" x 24 $\frac{1}{4}$ " boards to form an "L" as shown. Make sure the ends are flush on both sides.

Drill an $\frac{1}{8}$ " hole at locations shown. Secure with #8 x 2 $\frac{1}{2}$ " deck screws.



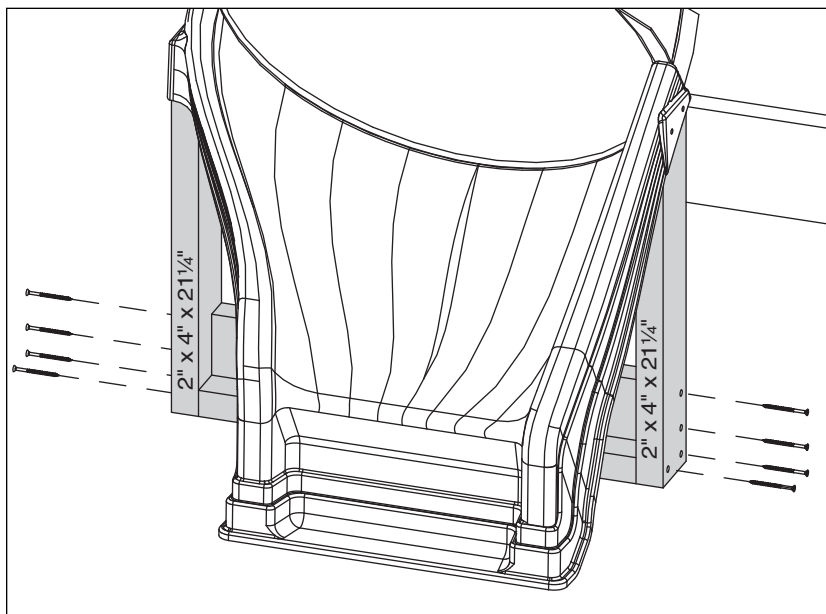
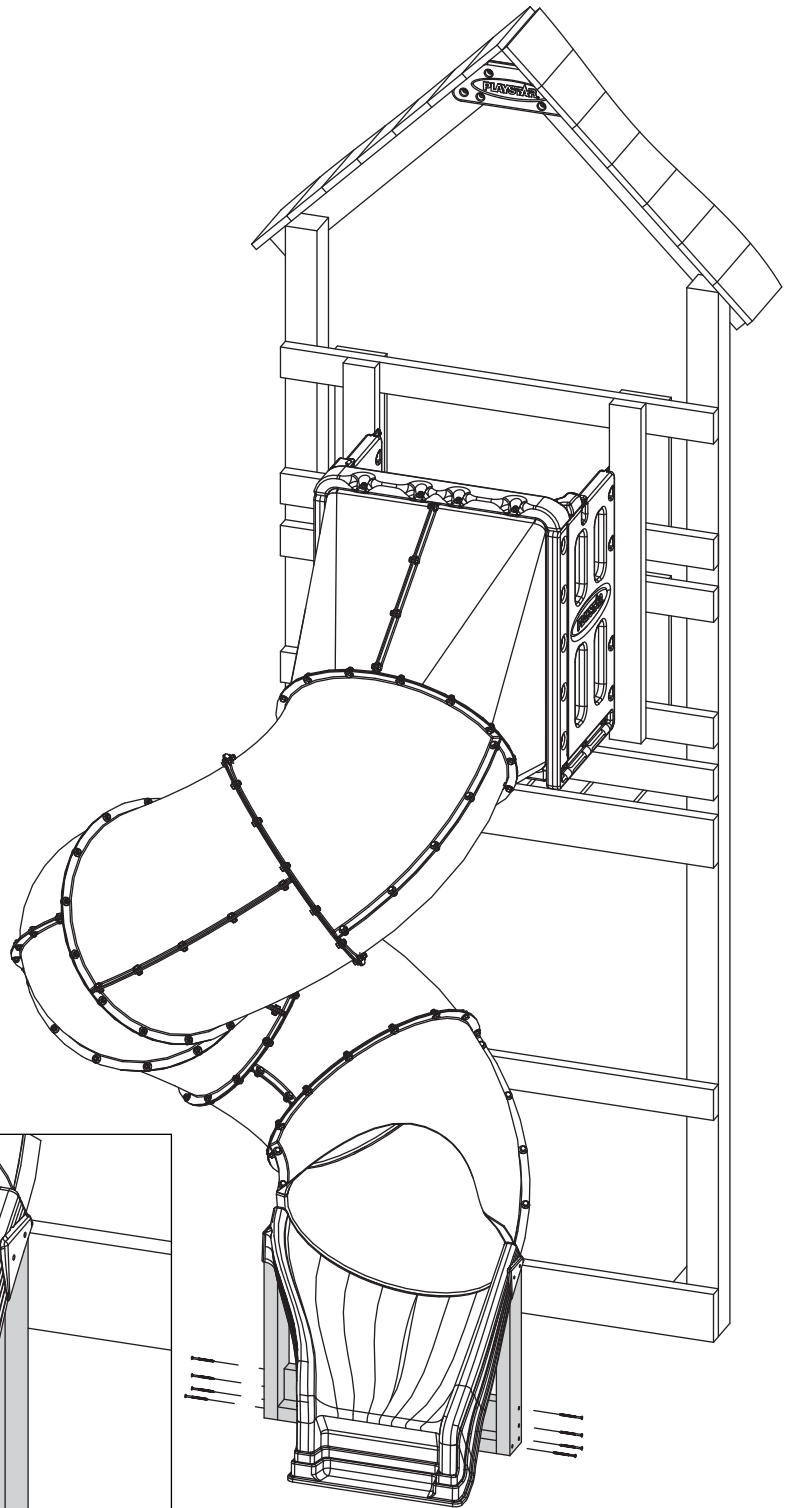
Items for **STEP 14:**

- (1) Step 13 Assembly
- (2) 2" x 4" x 21¼" boards
- (8) #8 x 2½" deck screws

Lay the Step 13 Assembly on the ground under the slide exit as shown.

Insert one 2" x 4" x 21¼" into each of the exit pockets as shown. Make sure both sides are flush with the Step 13 Assembly laying on the ground.

Drill an ⅛" hole at locations shown. Secure each 2" x 4" x 21¼" to the Step 13 Assembly with #8 x 2½" deck screws as shown.



Items for STEP 15:

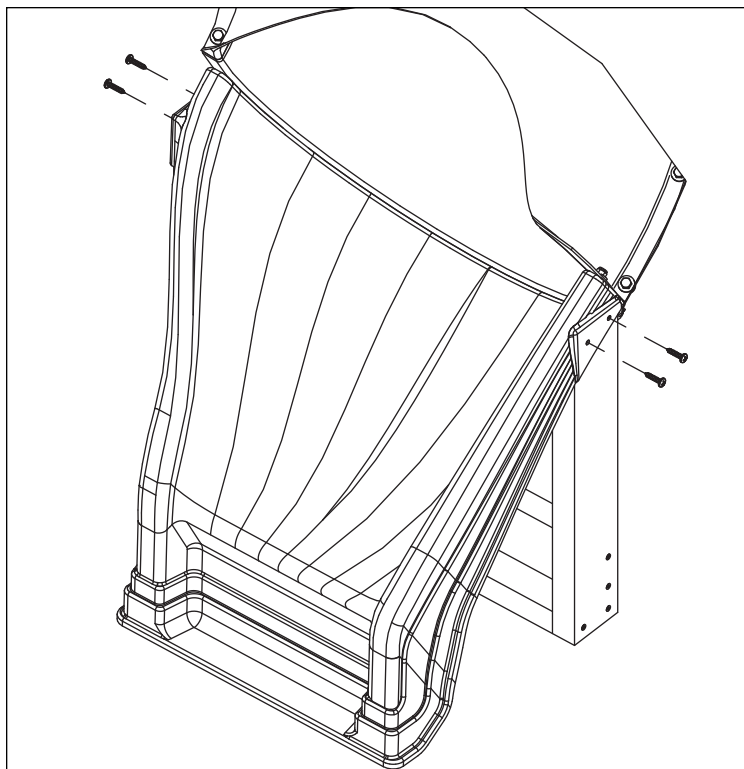
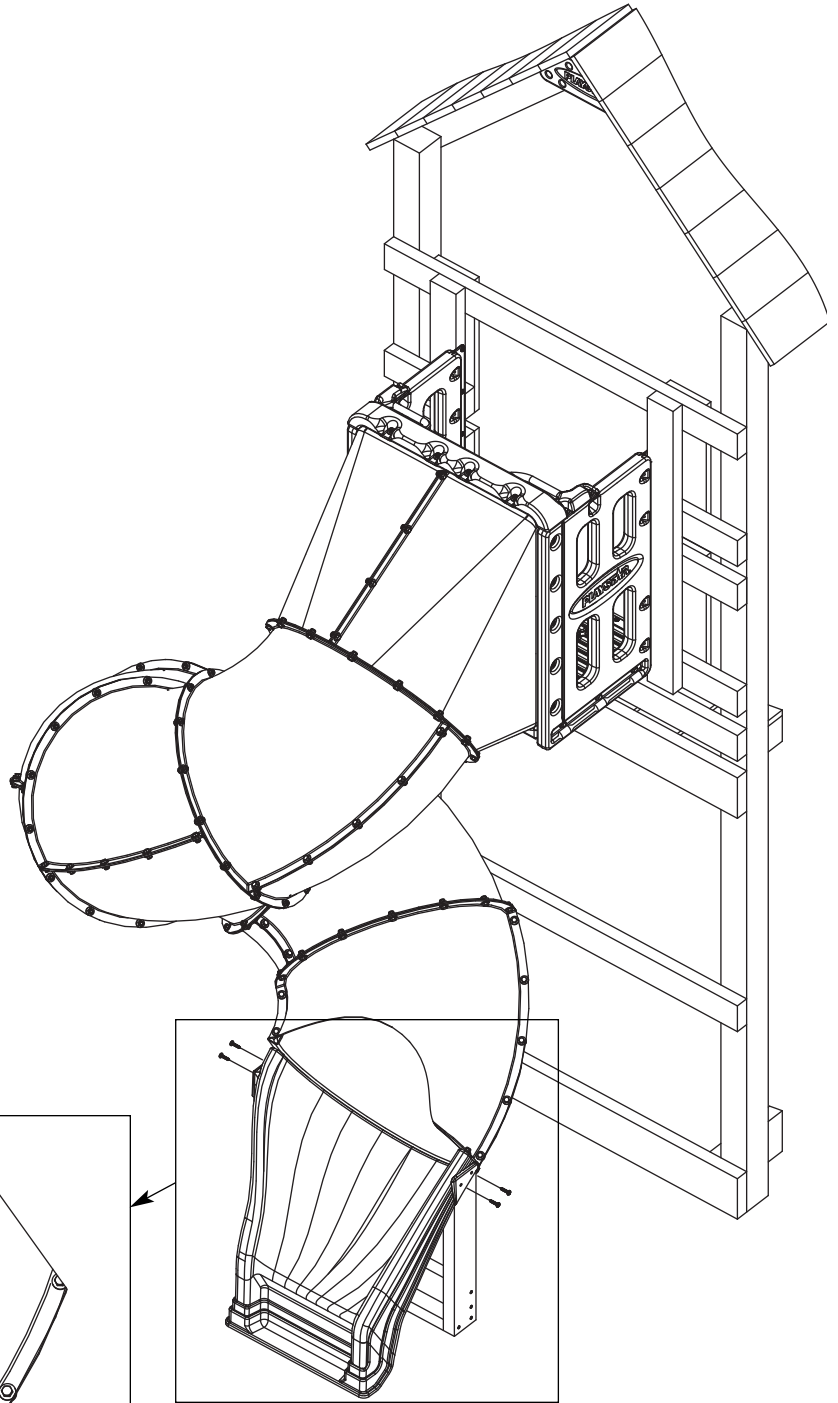
- (4) #14 x 1¼" pan head screws

Make sure the 2" x 4" x 21¼" boards are vertical and the exit pockets are firmly resting on top of them. Mark holes with a pencil.

Drill ⅛" holes 1" deep into the boards.

Note: *Be careful not to drill deeper than 1" or the exit could be damaged.*

Attach with #14 x 1¼" pan head screws on each pocket as shown.



Items for **STEP 16:**

- (2) Anchors
- (2) $\frac{3}{8}$ " x 2" lag screws
- (2) $\frac{3}{8}$ " washers

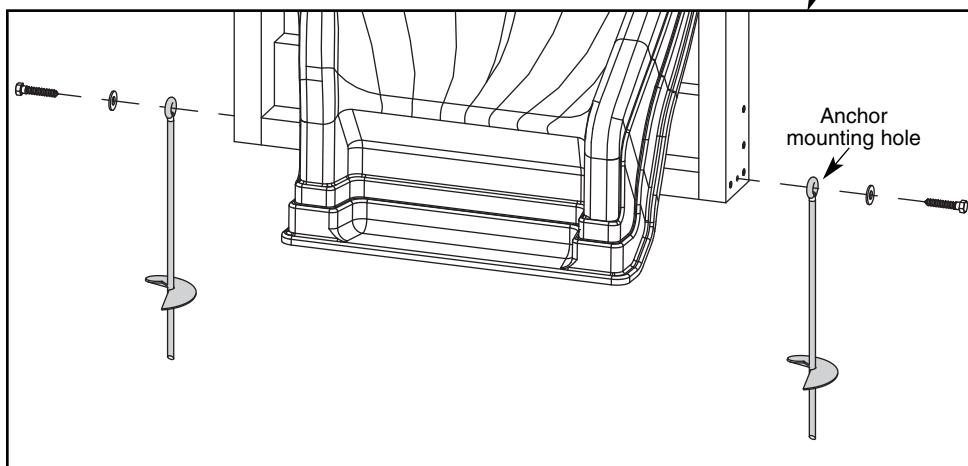
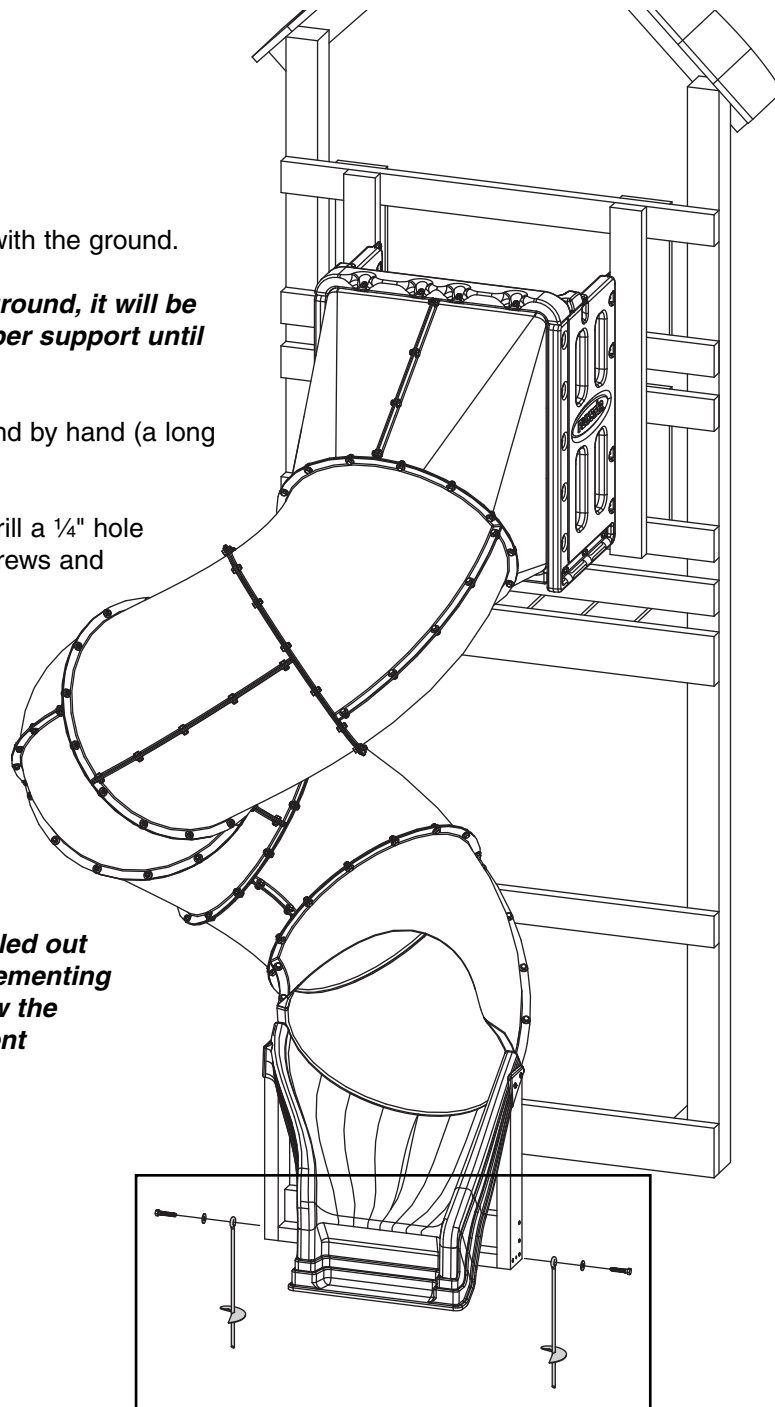
Make sure the exit is level and making firm contact with the ground.

Note: *If the exit is not making contact with the ground, it will be necessary to remove earth under the lumber support until exit firmly contacts the ground.*

At locations shown screw Playset Anchors into ground by hand (a long screwdriver will help).

Use the anchor mounting hole as a drill guide and drill a $\frac{1}{4}$ " hole $1\frac{1}{2}$ " deep into the boards. Attach with $\frac{3}{8}$ " x 2" lag screws and $\frac{3}{8}$ " washers provided.

Note: *If soil conditions permit anchors to be pulled out easily, such as in sandy soil conditions, cementing is required. Anchors must be placed below the level of shock-absorbing material to prevent tripping or injury resulting from a fall.*



Items for **STEP 17:**

- (1) Support Bracket
- (1) $\frac{3}{8}$ " x 2" hex bolt
- (1) $\frac{5}{16}$ " x 1" hex bolt
- (1) $\frac{3}{8}$ " washer
- (1) $\frac{3}{8}$ " lock nut

Locate the second bolt from the bottom on the **60° Tunnel Assembly** as shown. Remove and discard the bolt, save the nut and the washers.

Attach the bracket to the slide using a $\frac{5}{16}$ " x 1" hex bolt and the washers and nut saved previously. The smaller flange of the bracket will make contact with the bottom flange of the slide as shown in the picture.

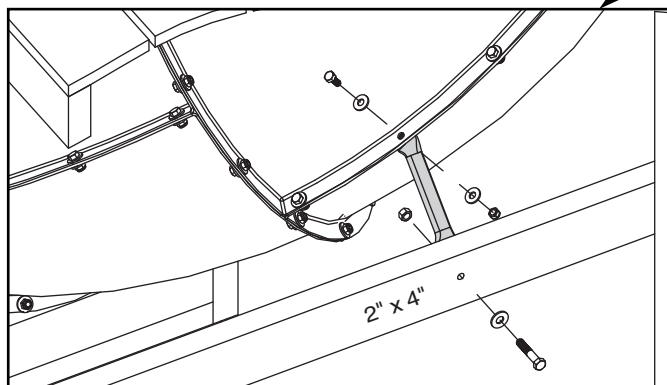
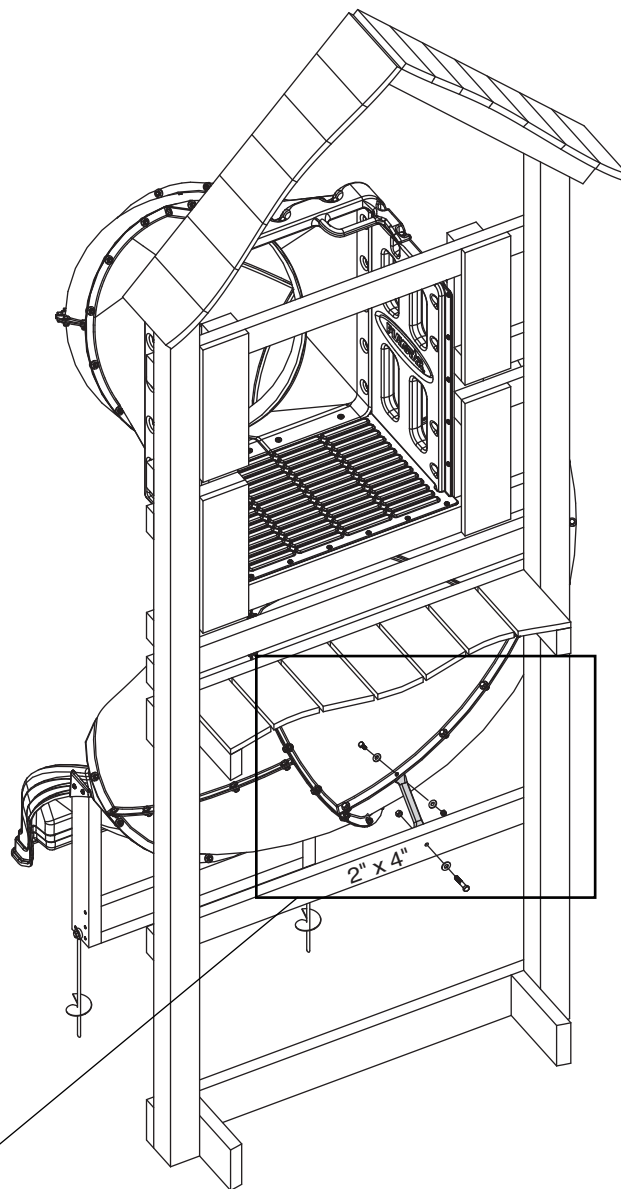
Tighten firmly but **do not over tighten**.

The larger flange of the bracket must make firm contact with the 2" x 4" board of the playset as shown. Mark the hole with a pencil.

Drill a $\frac{3}{8}$ " hole through the 2" x 4" board.

Attach with $\frac{3}{8}$ " x 2" hex bolt, a $\frac{3}{8}$ " washer and a $\frac{3}{8}$ " lock nut as shown.

Note: *Inspect all the fasteners before children are allowed to play on the Spiral Tube Slide.*



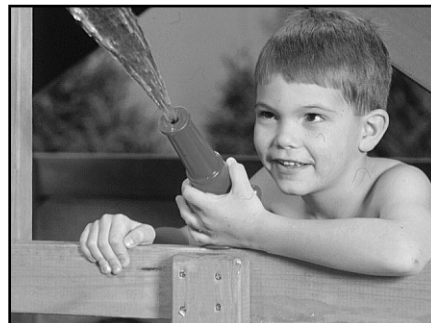
Expand your Playset with the Water Slide Kit (PS 8840)

Add the Water Slide Kit to extend sliding surface. May be used wet or dry.

Kit includes: Water Slide, Water Cannon and Water Slide Stakes



Water Slide (7 foot extension)



Water Cannon®



Water Slide Stakes

Thank You for choosing PlayStar. Because it is our intention to make this a positive family experience, we have taken great care in preparing this product. Should you have any questions, or if we can assist you in any way, please call our friendly Customer Service Department for immediate action.

Do not return to the store.

Please call us Toll Free at 1-888-PLAYSTAR
(752-9782)

Monday through Friday, 8:00 A.M. to 5:00 P.M. C.S.T.

Ask for Customer Service.

We Will Gladly Help!



PlayStar, Incorporated, Janesville, WI 53547

© 2006 PlayStar, Inc. Reproduction of this document in part or whole is prohibited without the permission of PlayStar, Inc.
Protected by one or more of the following United States or Foreign Patents: US D573,222; US D580,507 CA D119,674